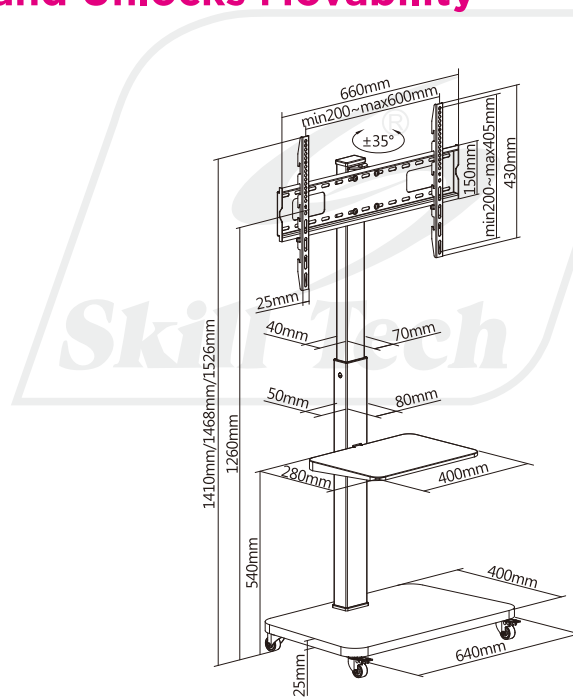


SH 19FS

TV Floor Stand



Frees Up Spaces and Unlocks Movability



Screen Size
37" - 75"



VESA Compatible
200x200 300x200 400x200
300x300 400x300 400x400
600x400



Weight Capacity
40kg/88lbs



Weight Capacity
5kg/11lbs



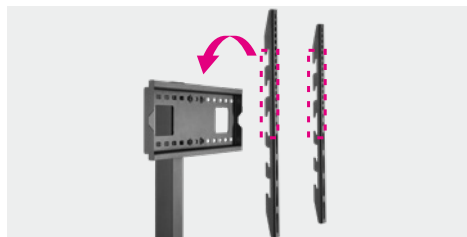
Swivel Range
+35° - -35°



Cable Management



Direction Indicator



Easy Height Adjustments
3 height choices meet all demands.



Detachable Shelves
Eye-pleasing and nice texture-touch. Shelves are detachable so daily use, rarely use, all welcome.



Cable Management
No one wants to game in front of a mess of cables, so they are all hidden in assembly. Totally get that.